

Heavy Duty, 1/4 Turn Pex-B Angle Stop Valve

Feature:

- ✓ Forged Lead Free Brass Body
- ✓ Chrome plated and rough brass
- ✓ Pex-B connection conformed to ASTM-F1807 crimp or clamp PEX system
- ✓ Precision machined brass ball provides smooth operation and long lasting durability
- ✓ Two high performance O-rings provide high temperature and corrosion resistant.
- ✓ Tool grippable heavy duty body
- ✓ 100% leak tested
- ✓ Window box package

Working Pressure & Temperature:

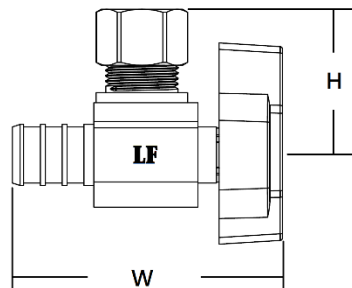
- 125 psi Maximum
- Temperature 40°F to 180°F

Approvals:

IAPMO NSF/ANSI-61 NSF/ANSI-372
ASME A112.18.1 ASTM-F1807

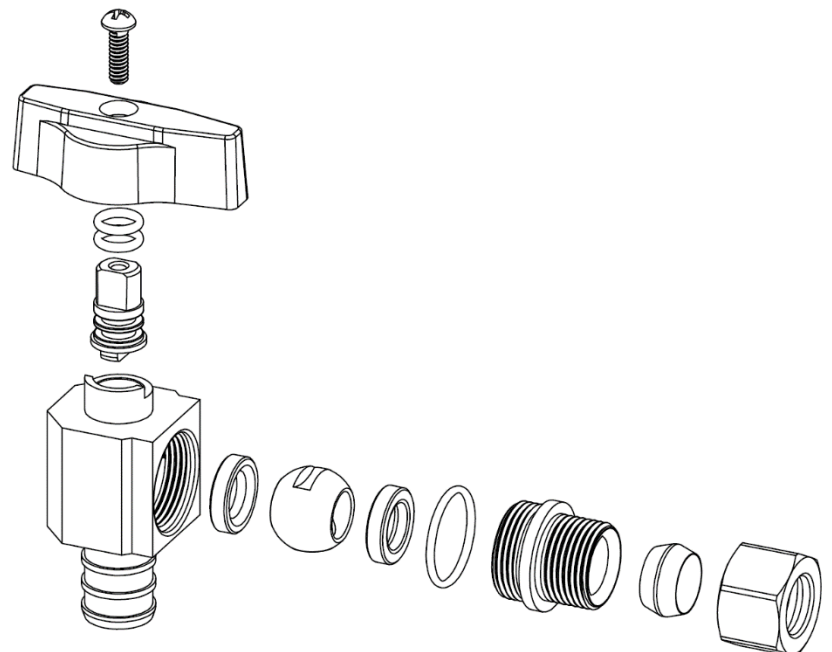


Part number	Description
4AB1238H	1/2 Crimp Pex x 3/8"OD Compression



Dimensions		
Model	H	W
4AB1238H	1.12	2.06

*Unit in inch



Part Name	Material
Compression Nut	Brass
Sleeve	Copper
Body	Lead Free Brass
Stem	Brass
O-ring	NBR
Handle	Zinc
Screw	Steel
Ball Seat	PTFE
Ball	Lead Free Brass
Adapter	Lead Free Brass
Sleeve	Copper
Compression Nut	Brass