

Lead Free Brass Ball Valves Crimp x Crimp

Feature:

- ✓ Dezincification Resistant (DZR) Lead Free Brass
- ✓ Pex end conform to ASTM F1807
- ✓ Forged Full Port Brass body
- ✓ Blow out proof stem design
- ✓ Packing nut, O-ring & packing on the stem seal
- ✓ Stainless Steel Ball
- ✓ Handle with vinyl grip
- ✓ Compatible with Water, Oil, Gas, Steam and Air applications



Pressure Rating:

- 600 psi (WOG/CWP) 150 psi (WSP)
- Temperature range: -20°F to 300°F

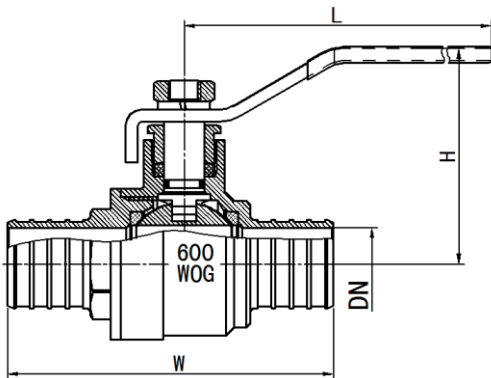
Approvals:

IAPMO

NSF/ANSI 61, 372, 14

CAS

NSF/ANSI 61, 372, IGC 157



Part#	Size	DN	L	H	W
5011LF	1/2"	0.354	3.46	1.64	2.44
5012LF	3/4"	0.531	3.46	1.81	2.58
5013LF	1"	0.713	4.29	2.09	3.17

*Unit in Inch


ISO9001:2015

Part Name	Material
Body	Lead Free Brass
Seat	PTFE
Ball	Stainless Steel
Stem O-ring	NBR
Packing Nut	Brass
Stem	Brass
Lock Nut	Ferromagnetic Zinc plated
Lock Washer	Ferromagnetic Zinc plated
Packing	PTFE
Handle	Ferromagnetic Chrome plated
Cap	Lead Free Brass