

### Metal Nut, Flexible Toilet Supply Lines

#### Feature:

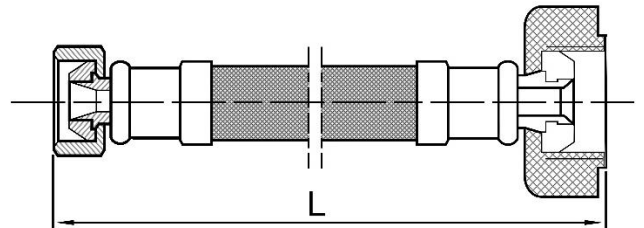
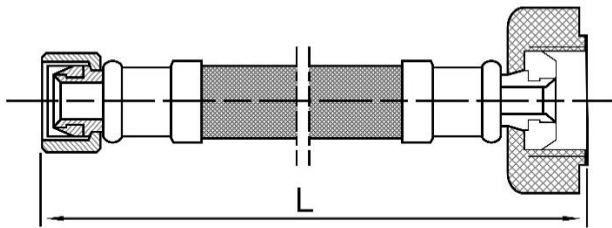
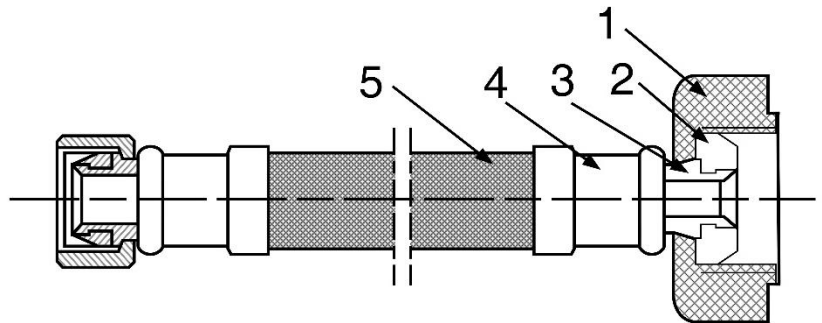
Stainless steel braided hose is made from high quality stainless steel wires. Certified NBR or EPDM rubber gasket and PVC inner tube to provide strong hot and cold resistance and corrosive resistance.

#### Standard Approvals:

- ASME A112.18.6/CSA B125.6
- NSF/ANSI 61



Part Name	Material
1 Nut	Brass
2 Washer	EPDM
3 Insert	Brass
4 Sleeve	Stainless Steel
5 Hose	Braided Stainless Steel
	Inner: PVC



Part Number	Size	Length
<b>4CM3809</b>	3/8" Comp. x 7/8" BC	9"
<b>4CM3812</b>	3/8" Comp. x 7/8" BC	12"
<b>4CM3816</b>	3/8" Comp. x 7/8" BC	16"
<b>4CM3820</b>	3/8" Comp. x 7/8" BC	20"
<b>4CM3824</b>	3/8" Comp. x 7/8" BC	24"

Part Number	Size	Length
<b>4CM1212</b>	1/2" FIP x 7/8" BC	12"
<b>4CM1216</b>	1/2" FIP x 7/8" BC	16"
<b>4CM1220</b>	1/2" FIP x 7/8" BC	20"
<b>4CM1224</b>	1/2" FIP x 7/8" BC	24"

BC = Ball Cock

BC = Ball Cock