

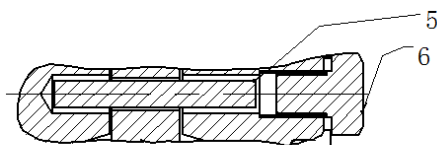
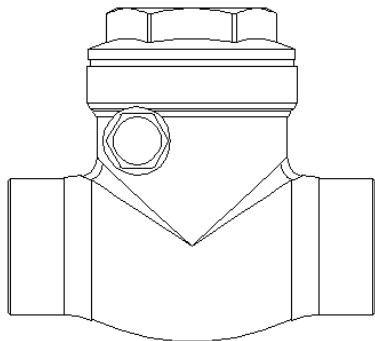
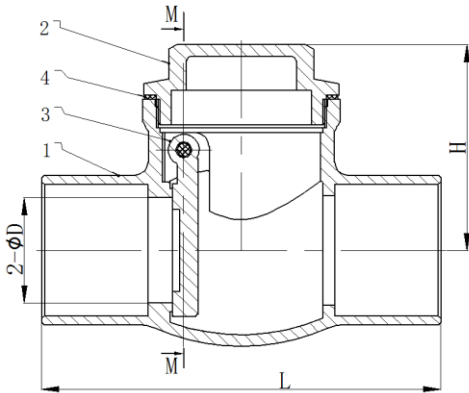
Lead Free Solder Swing Check Valve

Feature:

- ✓ Dezincification Resistant (DZR) Lead Free Brass Material
- ✓ Solder-Joint conform ASME B16.22
- ✓ Forged Brass body
- ✓ Seals In Metal Disc
- ✓ Screw in Brass

Performance Rating:

- Maximum Working Pressure 200PSI
- Working Temperature 32°F -212°F



M-M Section view

Part#	SWT	ØD	L	H
5201LF	1/2"	0.512	2.126	1.378
5202LF	3/4"	0.709	2.835	1.555
5203LF	1"	0.905	3.425	1.772
5204LF	1-1/4"	1.181	3.937	2.106
5205LF	1-1/2"	1.38	4.33	2.343
5206LF	2"	1.771	5.118	2.598

*Unit in inch

No.	Item	Material
1	Body	Lead Free Brass
2	Bonnet	Lead Free Brass
3	Disc	Lead Free Brass
4	Washer	Fiber
5	Pin	Brass
6	Bolt	Lead Free Brass