

Expansion PEX Rings

Ring with stop edge

Feature:

- ✓ PEX-A expansion sleeve conforms to ASTM F1960
- ✓ PEX cross-linking between 70-89%, average 80%
- ✓ Available Size from 1/2" to 2"
- ✓ NSF 14, 61 approved

Pressure Rating:

140°F (60°C) @80 psi (5.5 bar)
in accordance with ASTM F2023.

Approvals:

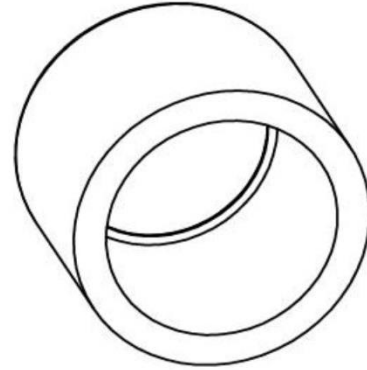
IAPMO

ASTM F876
CSA B137

NSF 61
NSF 14

NSF

ASTM F1960

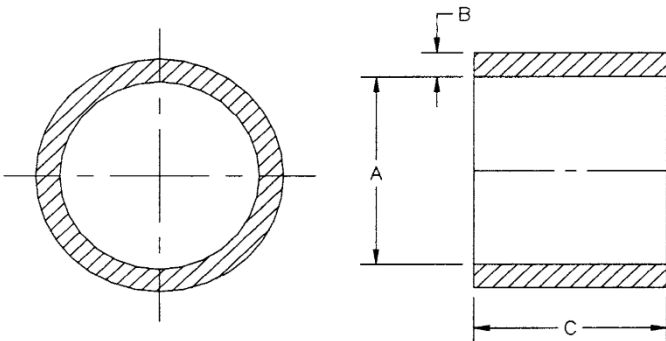


Temperature and pressure ratings stated are hydrostatic ratings. For domestic hot-water recirculation installations.

Installation:

Square cut the PEX-A tubing. Slide the ring over the end of the tubing. When using the ring with stop, slide the ring on the tubing until the end of the tubing contacts the stop edge. Expand the tubing and ring. Remove the expansion tool and fully seat the tubing and ring against the shoulder of the fitting.

Note: Make PEX-A connections at temperatures above 5°F(-15°C).



Part#	Size	A	B	C	Wt.(g)
7A1001	1/2"	0.633	0.123	0.63	3
7A1002	3/4"	0.882	0.123	0.66	6
7A1003	1"	1.134	0.143	1.102	10
7A1004	1-1/4"	1.388	0.138	1.349	14
7A1005	1-1/2"	1.642	0.138	1.605	20
7A1006	2"	2.154	0.236	1.968	54.5