

Hose Bibb Vacuum Breaker

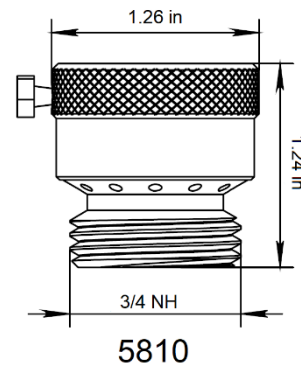
Lead Free, 3/4" Female Hose Thread x 3/4" Male Hose Thread

Feature:

- ✓ Forged Brass Body
- ✓ Stainless steel working parts for longevity
- ✓ ASSE 1011 certified
- ✓ Durable rubber washer and disc for consistent positive seating

Description:

The vacuum breaker is fitted directly to hose bibb before the hose connection. The working principle is below: A membrane inside ensures the water flow goes from the valve to the hose (back flow prevention); when the water flow returning to the water line, the membrane opens venting slits that allowing discharge of the backing water outside.



Approvals:

ASSE 1011, CSA B64.2



Pressure Rating:

- Max Working Pressure: 125 psi (WSP)
- Max Working Temperature: 180°F

Pressure	0.1 MPa	0.2MPa	0.3MPa
Flow	16 liter/min	25 liter/min	30 liter/min

Part	Material
1 Body	Brass
2 Spring	Stainless Steel
3 Spring Base	POM
4 Gasket	NBR
5 Washer	POM
6 Washer	NBR
7 Set Screw	Stainless Steel

